

ALEX[®]

GUIDI NEW NON-STICK VALVE
since 1968

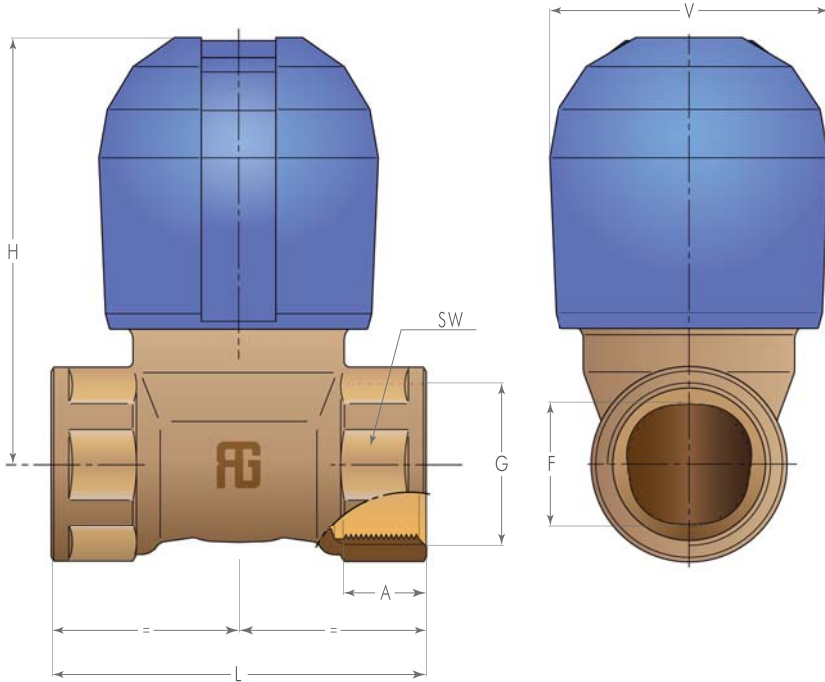
SAFETY INTAKE NON-STICK VALVE



GUIDI
since 1968



MARINE
ACCESSORIES



ALEX - ART. 2260 - TECHNICAL FEATURES

Specially designed for marine applications, the valve can be mounted in any position.
The fluid can flow through the valve both ways.

Components that come into contact with the fluid:

- bronze body, CC491K (UNI EN 1982)
- neoprene seals

Operating knob: fire-resistant ABS.

SW	25	25	31	38	47	54	67
V	53	53	58	63	72	78	90
H	76	76	85	94	110	118	139
L	67	67	73	84	97	103	124
F	15	15	20	25	33	38	48
A	11.4	15	16.3	19.1	21.4	21.4	25.7
G	3/8	1/2	3/4	1"	1"1/4	1"1/2	2"